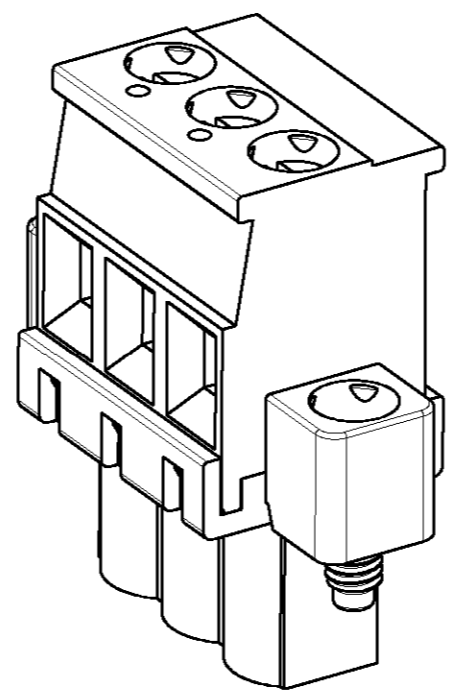
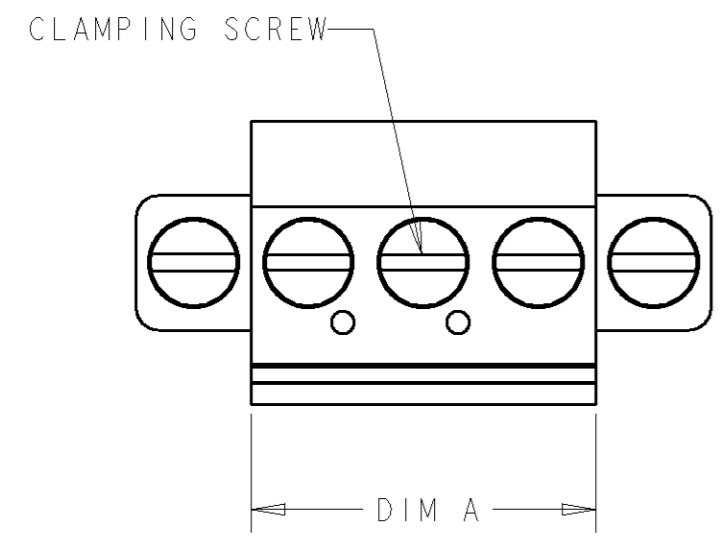


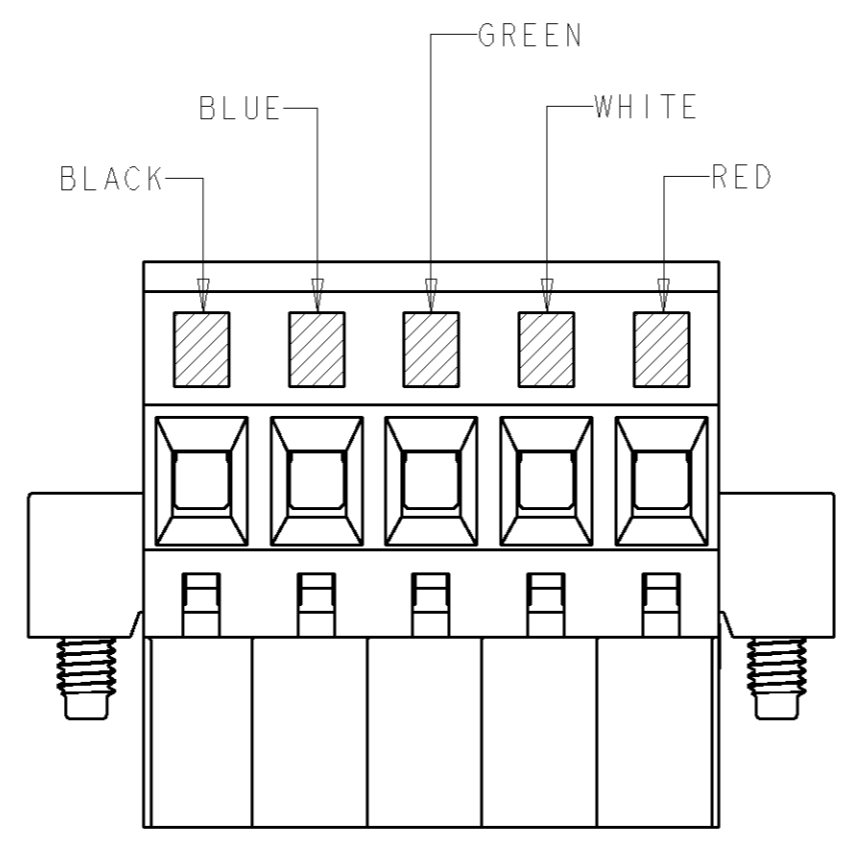
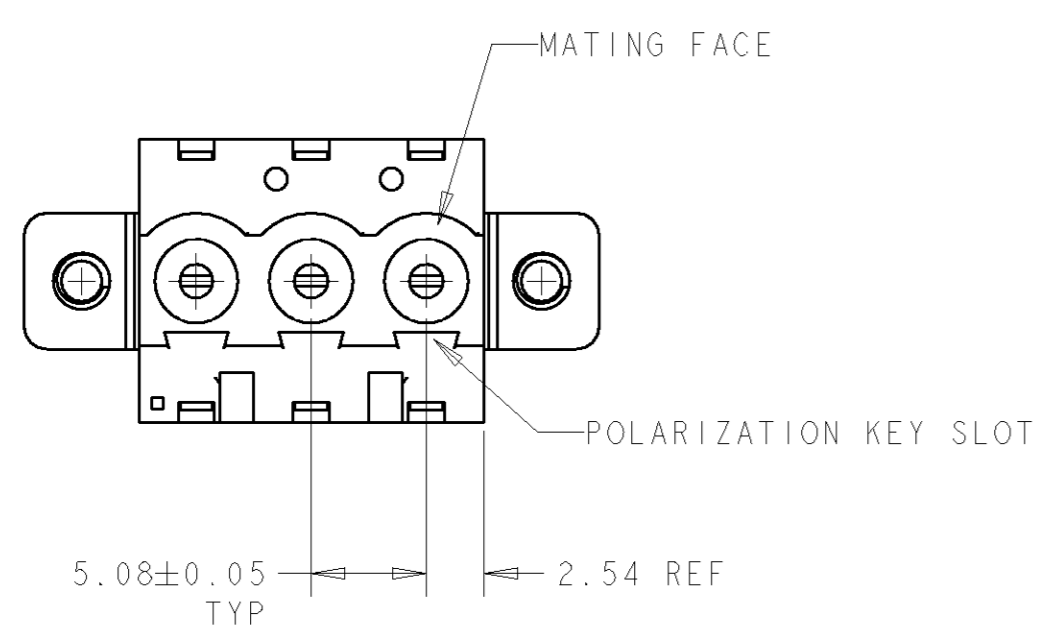
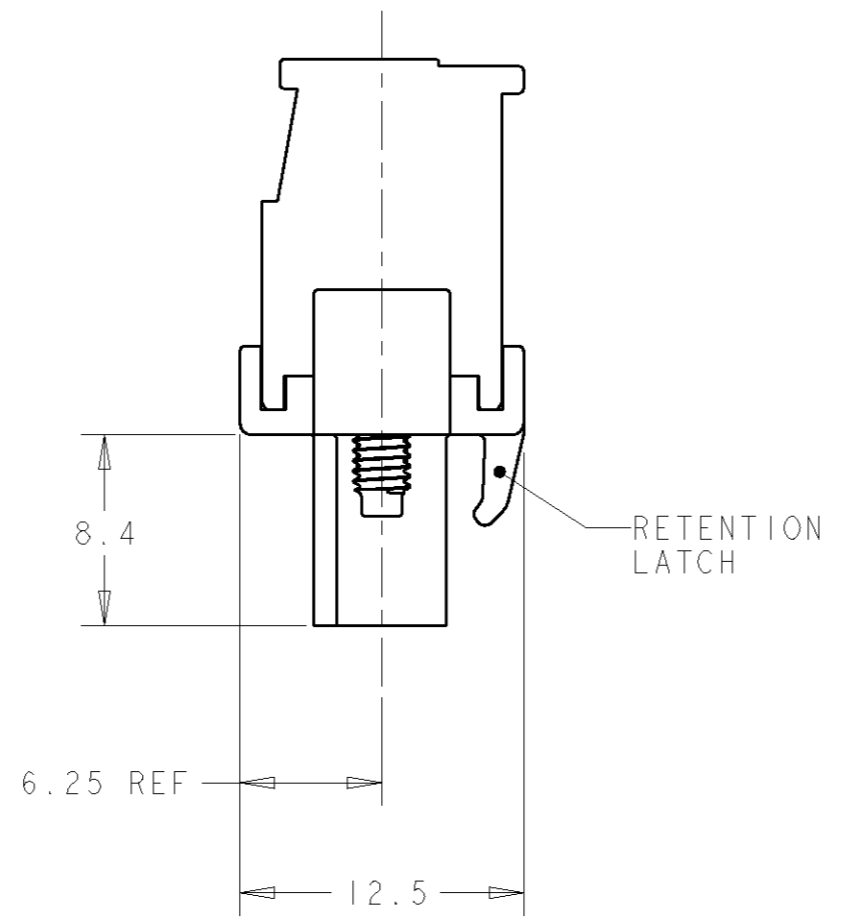
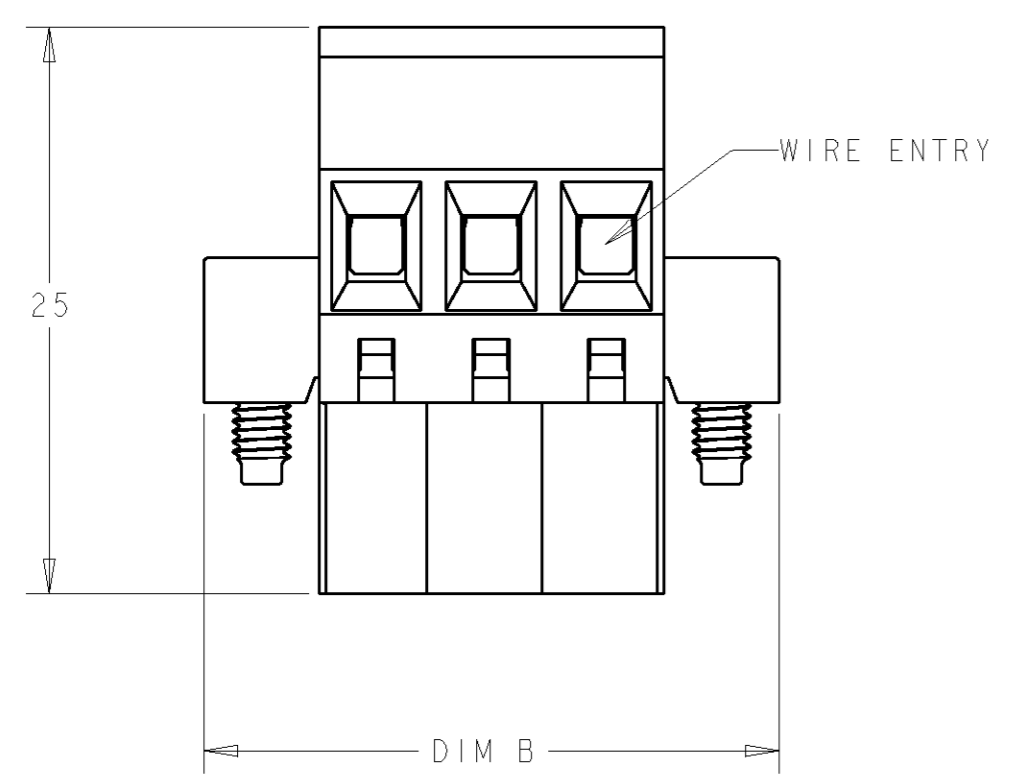
THIS DRAWING IS UNPUBLISHED. RELEASED FOR PUBLICATION 20
 © COPYRIGHT 20 BY TYCO ELECTRONICS CORPORATION. ALL RIGHTS RESERVED.

LOC	DIST	REVISIONS					
FT	0	P	LTR	DESCRIPTION	DATE	DWN	APVD
		A		RELEASED	07AUG2002	JS	CR
		B		REVISED EC 0G3B-0192-04	14APR2004	SW	CR
		C		REVISED EC 0G3B-0691-04	26OCT2004	SW	CR



796861-3 AS SHOWN

- 1 MATERIALS AND FINISH:
 HOUSING: PA 6-6, UL 94-V0, COLOR GREEN.
 CLAMP: BRASS, NICKEL PLATED.
 CONTACT SPRING: PHOSPHOR BRONZE, PLATING: SEE TABLE.
 CLAMPING SCREW: M3, BRASS, NICKEL PLATED.
- 2. WIRE SIZE RANGE: 12 - 30 AWG
- 3 LABEL APPLIED OR INK MARKING AS SHOWN.



DETAIL F

PRELIMINARY	0.2µm GOLD	3	DETAIL F	35.56	25.40	5	2-796861-4
TIN	-	-	-	127.00	116.84	23	2-796861-3
TIN	-	-	-	121.92	111.76	22	2-796861-2
TIN	-	-	-	116.84	106.68	21	2-796861-1
TIN	-	-	-	111.76	101.60	20	2-796861-0
TIN	-	-	-	106.68	96.52	19	1-796861-9
TIN	-	-	-	101.60	91.44	18	1-796861-8
TIN	-	-	-	96.52	86.36	17	1-796861-7
TIN	-	-	-	91.44	81.28	16	1-796861-6
TIN	-	-	-	86.36	76.20	15	1-796861-5
TIN	-	-	-	81.28	71.12	14	1-796861-4
TIN	-	-	-	76.20	66.04	13	1-796861-3
TIN	-	-	-	71.12	60.96	12	1-796861-2
TIN	-	-	-	66.04	55.88	11	1-796863-1
TIN	-	-	-	60.96	50.80	10	1-796861-0
TIN	-	-	-	55.88	45.72	9	796861-9
TIN	-	-	-	50.80	40.64	8	796861-8
TIN	-	-	-	45.72	35.56	7	796861-7
TIN	-	-	-	40.64	30.48	6	796861-6
TIN	-	-	-	35.56	25.40	5	796861-5
TIN	-	-	-	30.48	20.32	4	796861-4
TIN	-	-	-	25.40	15.24	3	796861-3
TIN	-	-	-	20.32	10.16	2	796861-2
TERMINAL PLATING	MARKING	SPECIAL	DIM B	DIM A	POSN	PART NUMBER	

THIS DRAWING IS A CONTROLLED DOCUMENT FOR TYCO ELECTRONICS CORPORATION IT IS SUBJECT TO CHANGE AND THE CONTROLLING ENGINEERING ORGANIZATION SHOULD BE CONTACTED FOR THE LATEST REVISION.		DWN J. STAUFFER 07AUG2002 CHK C. RICHARD 07AUG2002 APVD C. RICHARD 07AUG2002	BUCHANAN Tyco Electronics Harrisburg, PA 17105-3608
DIMENSIONS: mm 		TOLERANCES UNLESS OTHERWISE SPECIFIED: 0 PLC ±0 1 PLC ±.3 2 PLC ±.25 3 PLC ±0 4 PLC ±0 ANGLES ±2° FINISH	NAME: TERMINAL BLOCK VERTICAL PLUG LEFT HAND, W/ LOCKING SCREW 5.08mm PITCH SIZE: A2 CAGE CODE: 00779 DRAWING NO: 796861 RESTRICTED TO: -
MATERIAL: - -		PRODUCT SPEC: - APPLICATION SPEC: - WEIGHT: - CUSTOMER DRAWING	SCALE: 3:1 SHEET: 1 OF 1 REV: C